

2017 Hajim School Diploma Ceremony
Hajim School of Engineering and Applied Sciences

Kodak Hall at Eastman Theatre Sunday, May 21, 2017

Musical Prelude at 2:30 p.m. Ceremony begins promptly at 3:00 p.m.

STUDENT LINE-UP AT 2:45 P.M.

Instructions for Bachelor's Degree Recipients

Issued by the Hajim School Dean's Office

Transportation:

Free shuttle buses will run continuously from 7:15 am until 6:00 pm between the River Campus (behind Rush Rhees Library) and the Eastman School of Music. There will be NO buses that run directly from the Staybridge to the Eastman Theatre.

Parking at the East End Garage is \$5 per vehicle. Directions to the Eastman Theatre from River Campus can be found at

www.esm.rochester.edu/concerts/parking/.

Arrival Time:

2:30 pm

**BME, CHE, CSC,
ES, IDE OPE & OPT
candidates**

Meet your undergraduate coordinator on the Grand Balcony level for your Announcer's Card. Make sure you list an updated email and cell phone number, particularly if you might want to purchase any of the professional pictures taken as you cross the stage.

**AME, ECE, ME &
GEM candidates**

Meet your undergraduate coordinator and student marshal on the Mezzanine level for your Announcer's Card. Make sure you list an updated email and cell phone number, particularly if you might want to purchase any of the professional pictures taken as you cross the stage.

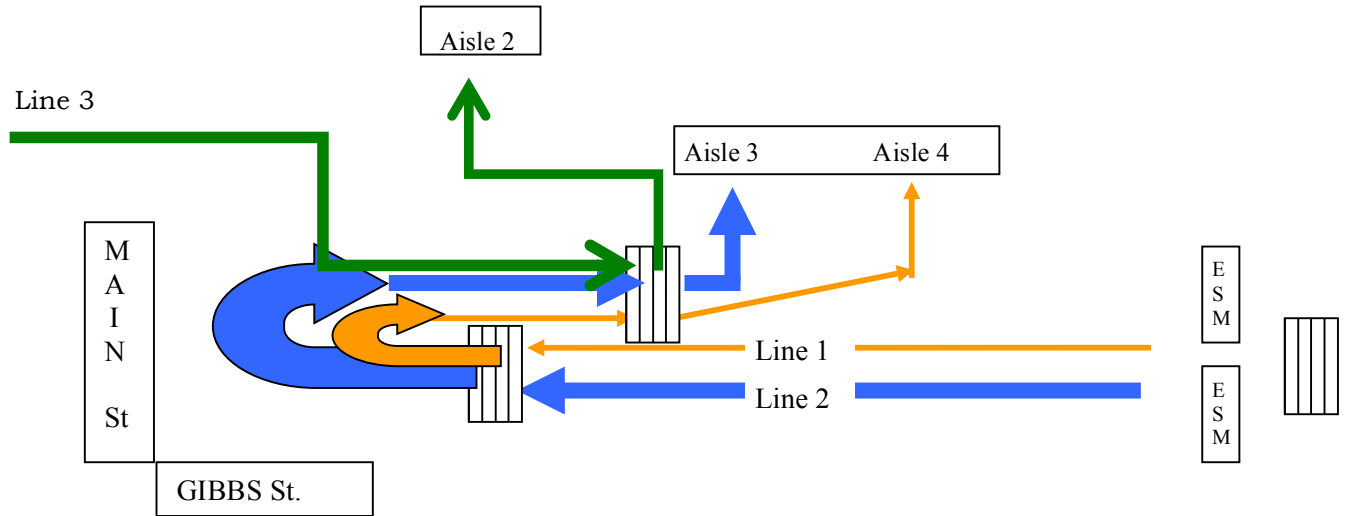
Line up:

2:45 pm

Students will be lined up into two single-file lines on the Grand Balcony level (#1:CHE, BME; #2: OPT, OPE ES, IDE, CSC) and one single-file line on the

Mezzanine level (#3: ME, GEM, AME, ECE) by the **undergraduate coordinators, Alvin Lomibao and Emma Derisi.**

At 2:50, student marshal, **Michaela Wentz**, leads Line 1 down the northernmost stairway from the Grand Balcony to the Mezzanine level, while student marshal, **Jessica Bernstein**, leads Line 2 down the same route.



Processional:

All three lines of students will enter Kodak Hall at the same time, followed by the faculty. Remain standing until Dean Heinzelman takes the podium after the faculty processional.

Awarding of Diplomas:

Nick Valentino will signal to each student marshal to rise and lead his/her department to the back center row of Kodak Hall. Students will turn left to follow their student marshal down the center row to Aisle 5, then turn right to proceed up Aisle 5 to the back of Kodak Hall. **Emma Derisi** will direct you left to the aisle on the far side of the orchestra seats, and then left again and to proceed down the aisle to the stage where **Kelly Johnson** will be standing. Await her instructions to approach the stage.

When **Ms. Johnson** instructs you to approach the stage, hand the announcer your Announcer's Card. Pause while s/he reads your card. Proceed across the stage as your name is said, shaking hands with **President Seligman**, then **Mr. Hajim**. Accept your diploma from **your department chair**. Continue across the stage to **Dean Heinzelman**, where you will pause for a professional photo with her. Pause one more time at the end of the stage for a second photo. Your **undergraduate coordinator** will greet you and indicate for you to proceed to the second set of stairs to the middle center aisle to go back to your seat.

Student Recessional: At the end of the ceremony, students will stand until the members of faculty have cleared the stage area before being led out of Kodak Hall by the student marshals.

When instructed by Mr. Valentino, head to the back of the Kodak Hall. Turn left to enter Lowry Hall. Turn left to proceed down the hall **and out the back door** behind the staircase. Make two right turns to return to the front of the Eastman Theatre and your guests on Gibbs Street.

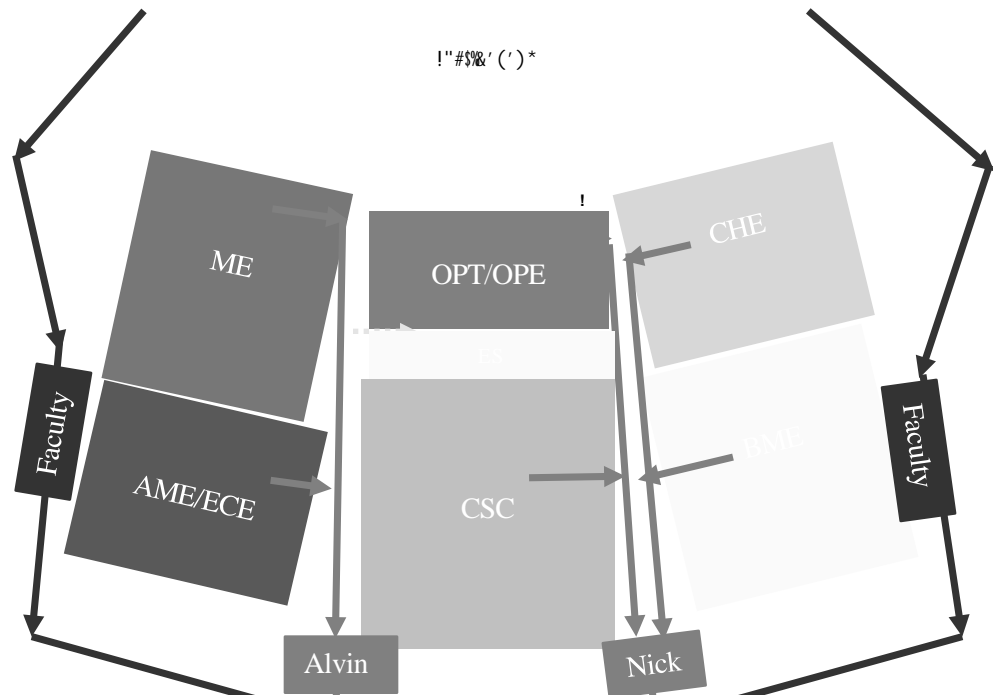
CHE graduates will then gather on the staircase at the back of Lowry Hall for a group picture.

Photos: Our official photographer for graduation is Grad Images. Visit <http://bit.ly/1BV2ALy> to register & receive a coupon to save 20% off an order of \$50 or more! Additional information about Hajim School events during Commencement Weekend can be found at www.hajim.rochester.edu/news/commencement_schedule_2017.html.

!"#\$%&'()*+,-./.*01

!"#\$%&'()*

RECESSIONAL:
Please recess all the way to the far end of Lowry Hall and out the back door. Make two right turns to return to Gibbs Street and your guests.



1 (2) . 800/

!"#\$%&'()*

8

!"#\$%&'()*+,-./.*0123456789

1 (2) . 800/

